

MANCHESTER SUITE

Toilet 3107-3427

Lavatory 3327-3307



With the two-button Dual-Flush System control you can select a powerful, efficient 1.6 gpf/6.0 lpf flush for solid waste or a 1.1 gpf/4.0 lpf for liquid waste.

FEATURES

2-1/8" Fully Glazed Trapway

Dual-Flush, High-Efficiency Toilet (HET) with Powerful 1.6 gpf/6.0 lpf Flush and 1.1 gpf/4.0 lpf Flush

Equipped with – Pilot Valve

Flushes 600 grams of solids

Classic design with metal push button on top of tank

Ideal Height™ – 17" High

Hidden Front Overflow Lavatory

Contemporary-Style Lavatory

5-Year Warranty on Vitreous China

3-Year Warranty on Component and/or Accessory Parts

V-Gloss™ High-Gloss Vitreous China – Durable, Nonporous

SPECIFICATIONS

3107-V	Elongated Bowl	66 Lbs.
3427-V	12" Rough-In Dual-Flush Tank	32 Lbs.
3327-V	8" Basin	43 Lbs.
3307-V	Pedestal	29 Lbs.

Meets ASME A112.19.2 / CSA B45.1
Seat and Faucet Not Included

THE PROVEN LEADER
IN FLUSHING PERFORMANCE™

Vortens®

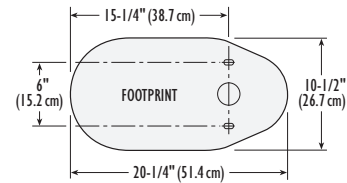
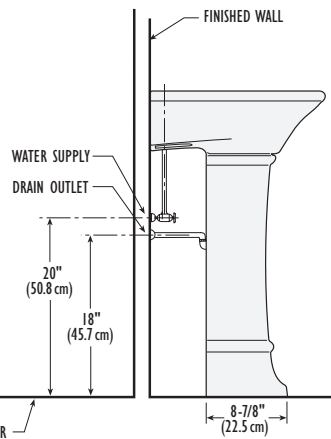
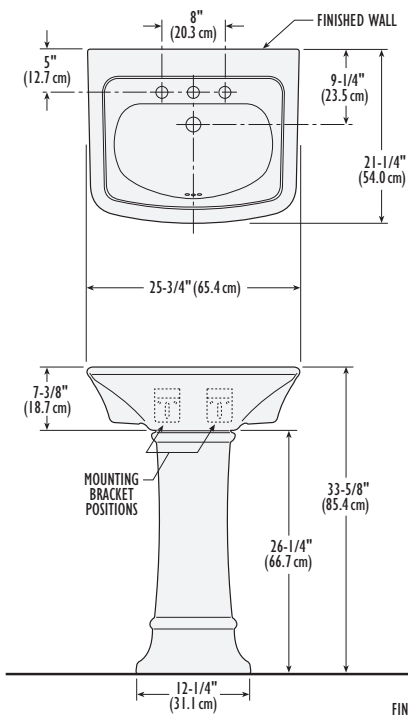
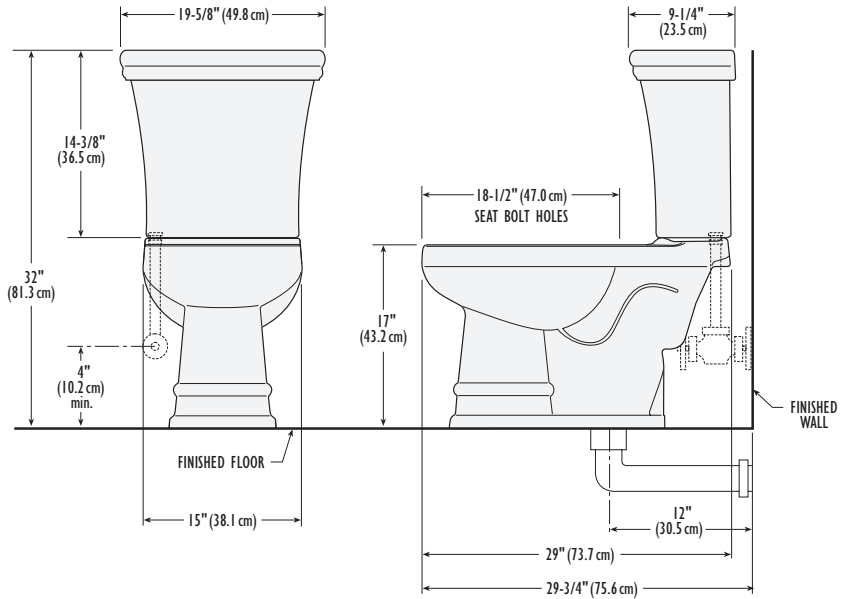
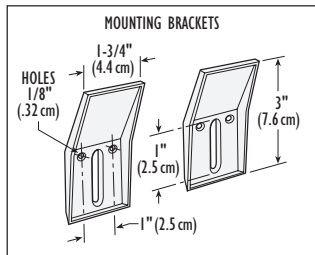
MANCHESTER SUITE

Toilet 3107-3427

Lavatory 3327-3307

IMPORTANT: Dimensions of fixtures are nominal and may vary within the range of tolerance established by the standards ASME A112.19.2 / CSA B45.1. These measurements are subject to change or cancellation. No responsibility is assumed for use of superseded or voided pages.

DIMENSIONS



SPECIFICATIONS

3107-V	Elongated Bowl	66 Lbs.
3427-V	12" Rough-In Dual-Flush Tank	32 Lbs.
3327-V	8" Basin	43 Lbs.
3307-V	Pedestal	29 Lbs.

COLORS

02: White

Other: Refer to price book for additional colors/finishes

Color number is indicated between part number and letter suffix (i.e. 3464-02-V)



U.S. CUSTOMER SERVICE

Toll Free: 866-821-2811
customerservice@vortens.com
ussales@vortens.com
www.vortens.com

CANADIAN CUSTOMER SERVICE

Toll Free: 866-363-1365
canadiansales@vortens.com
www.vortens.com

