

MANCHESTER DF

Model 3107-3427



With the two-button Dual-Flush System control you can select a powerful, efficient 1.6 gpf/6.0 lpf flush for solid waste or a 1.1 gpf/4.0 lpf for liquid waste.

FEATURES

2-1/8" Fully Glazed Trapway

Dual-Flush, High-Efficiency Toilet (HET) with Powerful 1.6 gpf/6.0 lpf Flush and 1.1 gpf/4.0 lpf Flush

Equipped with – Pilot Valve

Flushes 600 grams of solids

Classic design with metal push button on top of tank

Ideal Height™ – 17" High

Part of the Manchester Suite

5-Year Warranty on Vitreous China

3-Year Warranty on Component and/or Accessory Parts

V-Gloss™ High-Gloss Vitreous China – Durable, Nonporous

Bowl Shape Compatible with Bemis® 1800 Toilet Seat

SPECIFICATIONS

3107-V	Elongated Bowl	66 Lbs.
3427-V	12" Rough-In Dual-Flush Tank	32 Lbs.

Meets ASME A112.19.2 / CSA B45.1
Seat Not Included

THE PROVEN LEADER
IN FLUSHING PERFORMANCE™

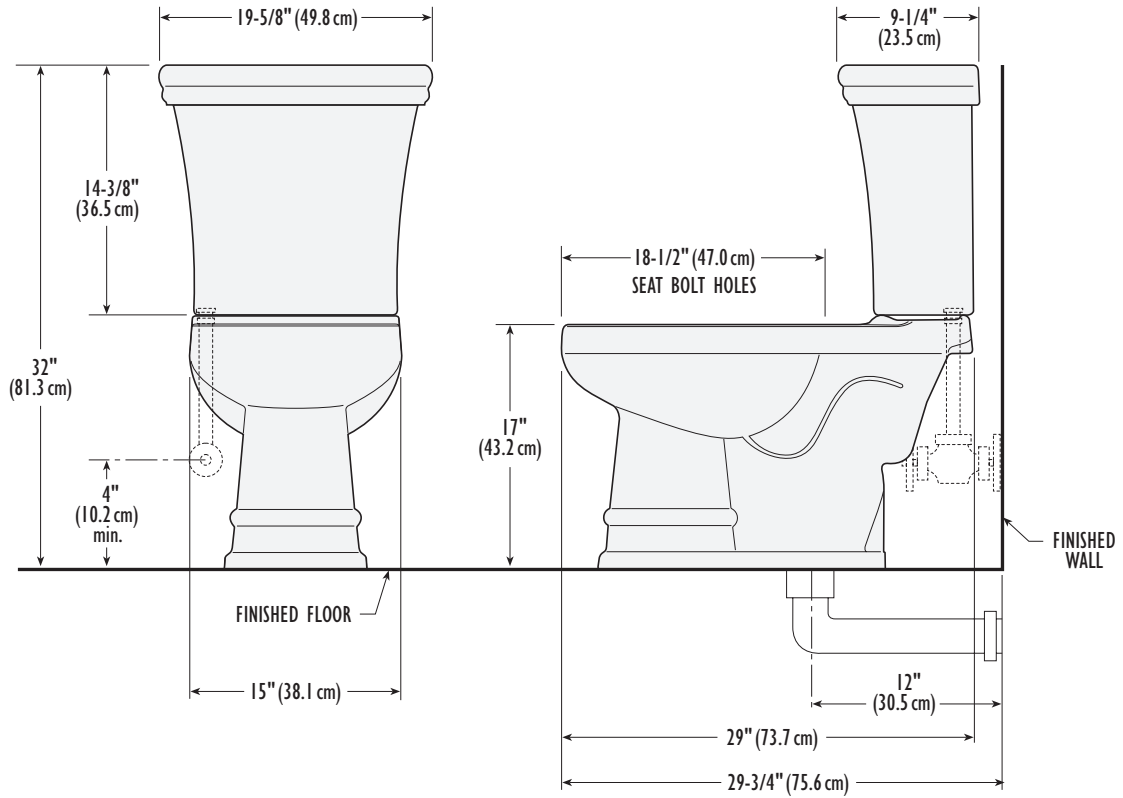


MANCHESTER DF

Model 3107-3427

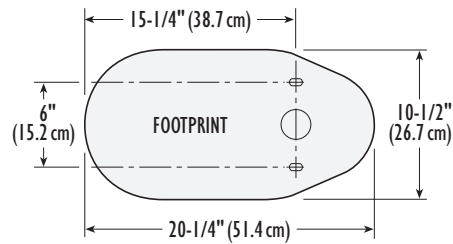
DIMENSIONS

IMPORTANT: Dimensions of fixtures are nominal and may vary within the range of tolerance established by the standards ASME A112.19.2 / CSA B45.1. These measurements are subject to change or cancellation. No responsibility is assumed for use of superseded or voided pages.



SPECIFICATIONS

3107-V	Elongated Bowl	66 Lbs.
3427-V	12" Rough-In Dual-Flush Tank	32 Lbs.



COLORS

02: White

Other: Refer to price book for additional colors/finishes

Color number is indicated between part number and letter suffix (i.e. 3464-02-V)



U.S. CUSTOMER SERVICE
 Toll Free: 866-821-2811
 customerservice@vortens.com
 ussales@vortens.com
 www.vortens.com

CANADIAN CUSTOMER SERVICE
 Toll Free: 866-363-1365
 canadiansales@vortens.com
 www.vortens.com

