

MOLISSE

Model 3549-3510



FEATURES

Hidden Front Overflow

5-Year Warranty on Vitreous China

V-Gloss™ High-Gloss Vitreous China –
Durable, Nonporous

SPECIFICATIONS

3549-V	4" Molisse Basin	35 Lbs.
3551-V	8" Molisse Basin	35 Lbs.
3552-V	Single Hole Basin	35 Lbs.
3510-V	Vienna Pedestal	19 Lbs.
Dimensions	25" x 19-5/8" x 33"	

Meets ASME A112.19.2 / CSA B45.1
Faucet Not Included

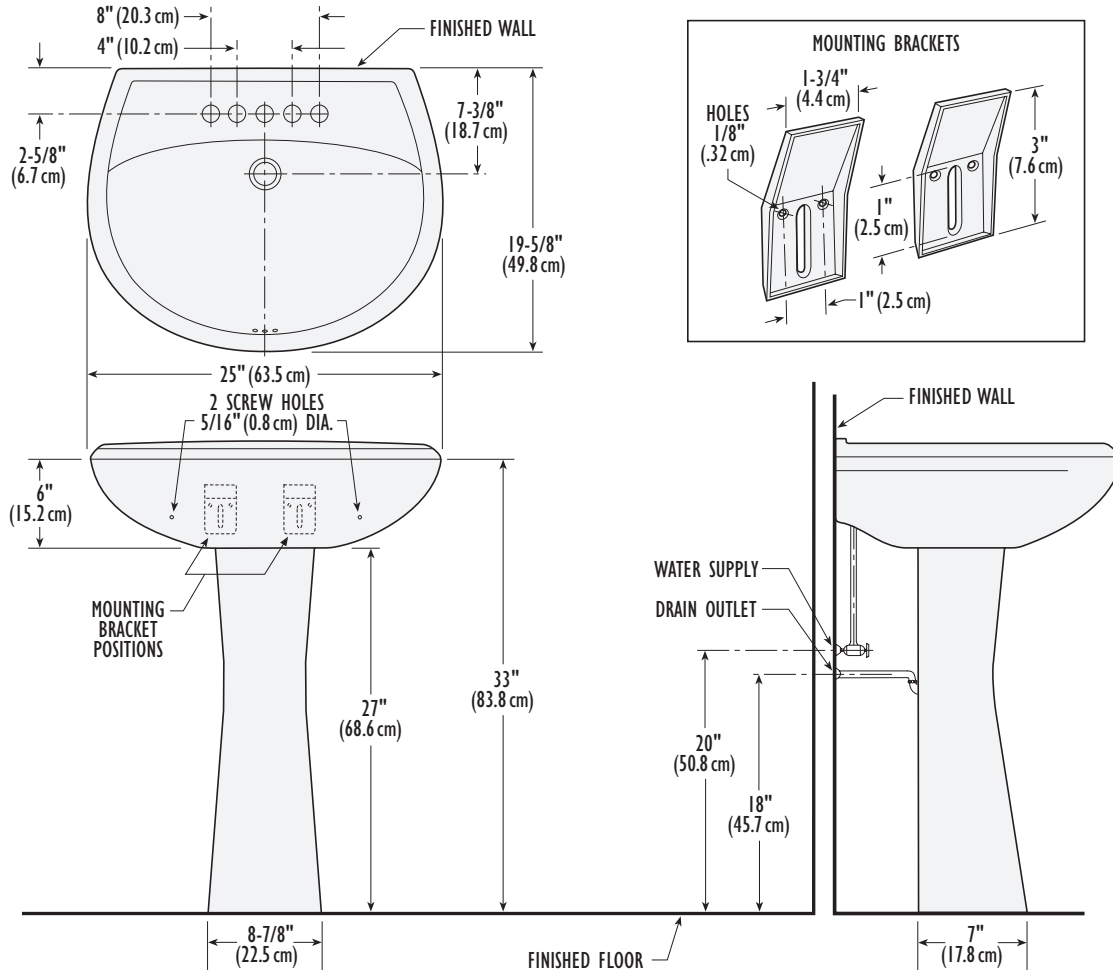
THE PROVEN LEADER
IN FLUSHING PERFORMANCE™



MOLISSE

Model 3549-3510

DIMENSIONS



IMPORTANT: Dimensions of fixtures are nominal and may vary within the range of tolerance established by the standards ASME A112.19.2 / CSA B45.1. These measurements are subject to change or cancellation. No responsibility is assumed for use of superseded or voided pages.

SPECIFICATIONS

3549-V	4" Molisse Basin	35 Lbs.
3551-V	8" Molisse Basin	35 Lbs.
3552-V	Single Hole Basin	35 Lbs.
3510-V	Vienna Pedestal	19 Lbs.
Dimensions	25" x 19-5/8" x 33"	

COLORS

02: White

Other: Refer to price book for additional colors/finishes

Color number is indicated between part number and letter suffix (i.e. 3464-02-V)



U.S. CUSTOMER SERVICE
 Toll Free: 866-821-2811
 customerservice@vortens.com
 ussales@vortens.com
 www.vortens.com

CANADIAN CUSTOMER SERVICE
 Toll Free: 866-363-1365
 canadiansales@vortens.com
 www.vortens.com

