

FIRENZE II

Model 3726



FEATURES

Hidden Front Overflow

5-Year Warranty on Vitreous China

High-Gloss Vitreous China –
Durable, Nonporous

SPECIFICATIONS

3726-V 4" Basin 17 Lbs.

Dimensions 19 1/16" Round



Meets ASME A112.19.2 / CSA B45.1
Faucet Not Included

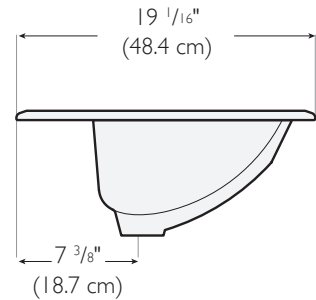
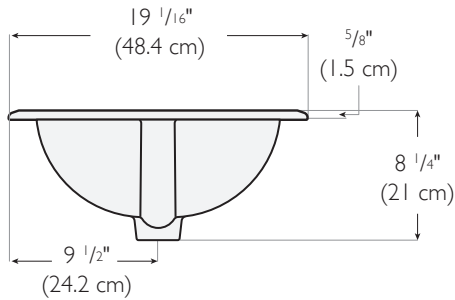
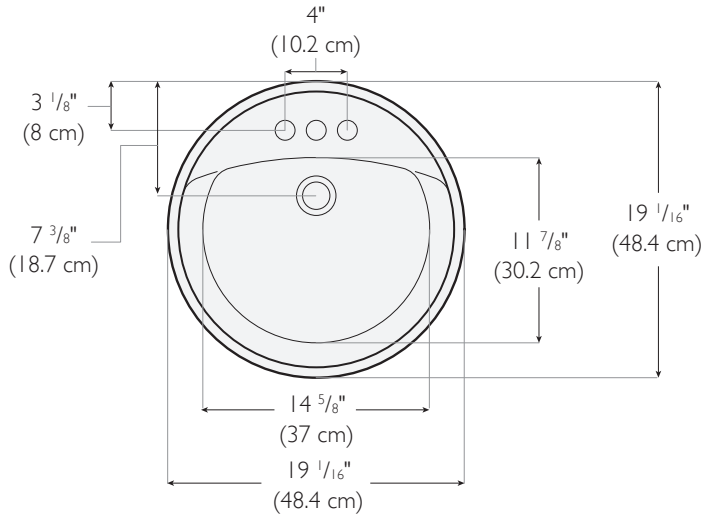
THE PROVEN LEADER
IN FLUSHING PERFORMANCE™

Vortens®

FIRENZE II

Model 3726

DIMENSIONS



IMPORTANT: Dimensions of fixtures are nominal and may vary within the range of tolerance established by the standards ASME A112.19.2 / CSA B45.1. These measurements are subject to change or cancellation. No responsibility is assumed for use of superseded or voided pages.

SPECIFICATIONS

3726-V 4" Basin 17 Lbs.

Dimensions 19 1/16" Round

A.D.A. Lavatory Installation Requirements: Lavatories shall be mounted with rim/counter surface no higher than 34 inches (86.4 cm) above finished floor. Provide a clearance range of 27-29 inches (68.6 - 73.7 cm) from the floor to the lavatory bottom or lavatory apron depending upon de type installed. For complete details on installation requirements, see A.D.A. Installation Handbook.



COLORS

02: White

Color number is indicated between part number and letter suffix (i.e. 3486-02-V)



U.S. CUSTOMER SERVICE
Toll Free: 866-821-2811
customerservices@vortens.com
ussales@vortens.com
www.vortens.com

CANADIAN CUSTOMER SERVICE
Toll Free: 866-363-1365
canadiansales@vortens.com
www.vortens.com

