

SARDINERO

Model 5337



FEATURES

Counter-Top Lavatory – No Overflow

5-Year Warranty on Vitreous China

Ceramic Fixture

SPECIFICATIONS

5337-V Vessel 26 Lbs.

Dimensions 24-13/16" x 10-3/8" Rectangular

Meets ASME A112.19.2 / CSA B45.1
Faucet Not Included

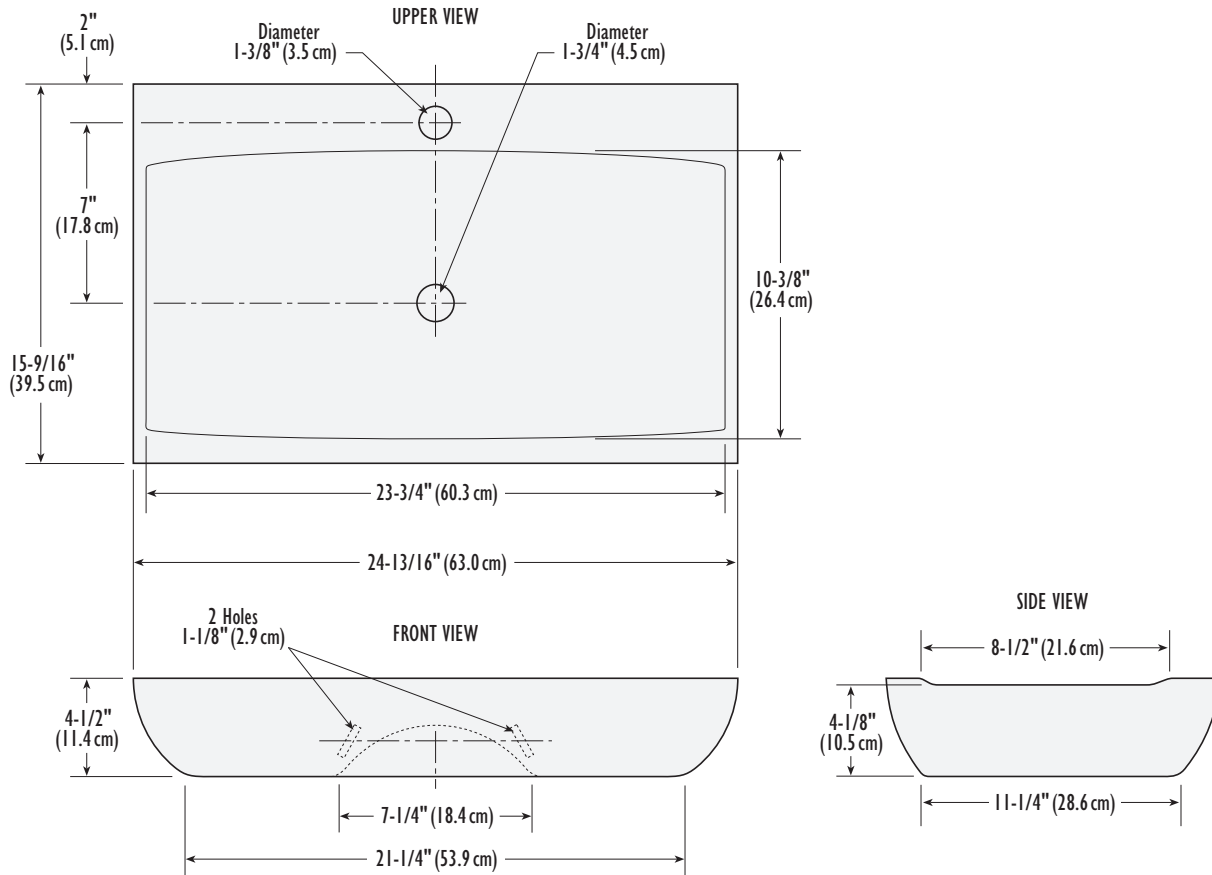
THE PROVEN LEADER
IN FLUSHING PERFORMANCE™



SARDINERO

Model 5337

DIMENSIONS



IMPORTANT: Dimensions of fixtures are nominal and may vary within the range of tolerance established by the standards ASME A112.19.2 / CSA B45.1. These measurements are subject to change or cancellation. No responsibility is assumed for use of superseded or voided pages.

SPECIFICATIONS

5337-V	Vessel	26 Lbs.
Dimensions	24-13/16" x 10-3/8" Rectangular	

A.D.A. Lavatory Installation Requirements: Lavatories shall be mounted with rim/counter surface no higher than 34 inches (86.4 cm) above finished floor. Provide a clearance range of 27 - 29 inches (68.6 - 73.7 cm) from the floor to the lavatory bottom or lavatory apron depending upon the type installed. For complete details on installation requirements, see A.D.A. Installation Handbook.

COLORS

02: White

Other: Refer to price book for additional colors/finishes

Color number is indicated between part number and letter suffix (i.e. 3464-02-V)



U.S. CUSTOMER SERVICE
 Toll Free: 866-821-2811
 customerservice@vortens.com
 ussales@vortens.com
 www.vortens.com

CANADIAN CUSTOMER SERVICE
 Toll Free: 866-363-1365
 canadiansales@vortens.com
 www.vortens.com

