



# DUAL-FLUSH MANUAL

## I. Preparation:

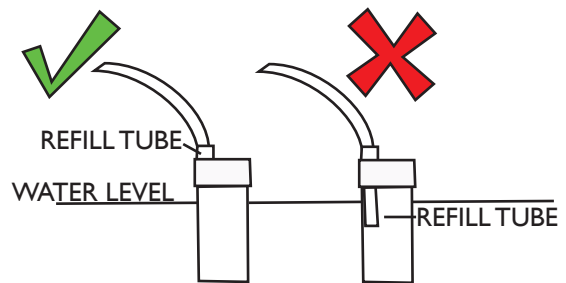
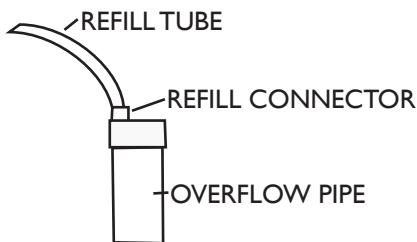
1. Please read carefully the following installation instructions. In order to avoid injuring body or damaging equipment, please install the equipment following the instructions step by step.
2. The instructions are compiled according to the up-to-date product information. Vortens reserves the right to make the changes about specifications, packaging and supplying without prior notice.
3. Vortens shall not be responsible or liable for any failure of or damage to, this plumbing product caused by its use in toilet tanks containing high concentrations of chlorine or chlorine-related products.
4. Vortens shall not be responsible for any failure resulting from the use of any parts from other companies.
5. Water temperature: 2°C (35.6°F)-45°C (113°F)

### Functions:

1. Full flush and half flush.
2. Water level adjusters.

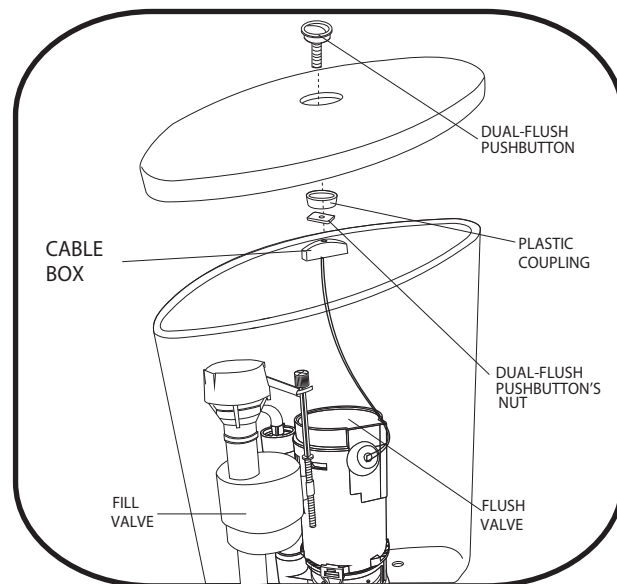
## II. Installation of Refill tube.

1. Attach one end of the refill tube to the refill exit in the fill valve and the other end to the connector on the top of the overflow tube in the flush valve.
2. Always make sure that the refill tube is position higher than the water level mark otherwise the valve will not work properly.



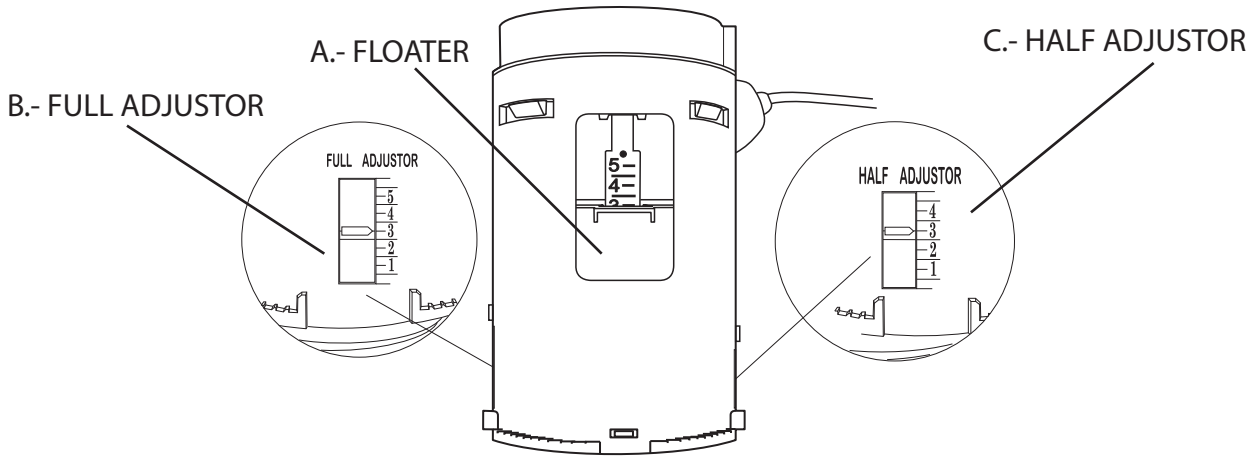
## III. Installation of flush button.

1. Place the flush button first, followed by the chromed plastic coupling under the tank lid or behind the tank wall depending on the buttons position. This should hold the button in place.
2. Next use the plastic nut to tighten the button in place.
3. Finally attach the cable box to the end of the dual flush button by pressing the stopper in the cable box to allow the dual flush button to enter and release the stopper to lock the button in place.
4. Finally ensure that the dual flush button moves smoothly after installation by pressing it and checking that the dual flush mechanism is in fact working.



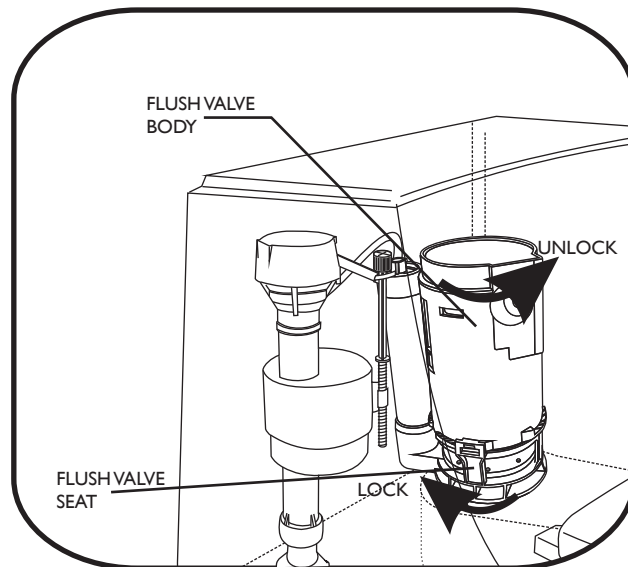
## IV. Adjustment of flush valve.

1. The flush valve contains three possible places of adjustment:
  - a. The floater
  - b. The full adjustor
  - c. The half adjustor
2. The following is a list of what adjustments each Vortens tank needs, depending on their model.



Model	Model Name	Floater adjustment	Full adjustor	Half adjustor
3436-V	Rhodas	#2	Fully opened	Fully opened
3420-V	420 DF Tank	#2	Fully opened	Fully opened
3427-V	Manchester	#1 1/2	#2	Fully closed
3472-VD	10" Rough-IN DF Tank	#1	#1 1/2	#3
3437-V	Rhodas Right Side Handle	#2	Fully opened	Fully opened
3130-V	Delfos	#2	Fully opened	Fully opened

3. To perform the adjustments turn the flush valve body counter clockwise to remove it from the flush valve seat. After the adjustments are done place the flush valve body in the flush valve seat and turn clockwise to lock it in.



**Vortens**<sup>TM</sup>